

UV515 Series Full HD PTZ Camera

The UV515 series Full HD PTZ Camera offers perfect functions, superior performance and rich interfaces. The features include advanced ISP processing algorithms to provide vivid images with a strong sense of depth, high resolution, and fantastic color rendition.



Key Features

- **Full HD Image**
UV515 employs 1/2.9 inch high quality CMOS sensor. Resolution is up to 1920x1080 with frame rate up to 30fps.
- **Multiple Optical Zoom**: 3X and 10X optical zoom lens for selection.
- **Leading Auto Focus Technology**
Advanced and leading algorithm enables the camera auto focus fast and accurately.
- **Low Noise and High SNR**
Low noise CMOS ensures super high SNR image. The advanced 2D/3D noise reduction technology reduces the noise while ensuring high image clarity.
- **Multiple Control Protocols**
Support VISCA, PELCO-D, PELCO-P protocols; Support automatic identification protocols.
- **Control Interface**
RS485, RS232 in & out, support cascade connection.
- **Extremely Quiet PTZ**
Adopting step driving motor mechanism and motor drive controller with high precision is to ensure PTZ works smoothly with low speed and without noise.
- **Low-power Sleep Function**
Support low-power sleep/wake up, the consumption is lower than 400mW under sleep mode
- **Multiple Preset**
Up to 255 presets (10 presets for IR remote control)
- **Multiple Applications**
Online-education, Lecture Capture, Broadcasting, Video conferencing, Tele-medicine, Unified Communication, Emergency command and control systems, etc.

Phone:+86-17771843647

Tel:+86-755-33288582

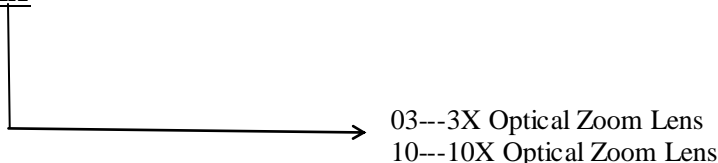
E-mail:claire@mingricctv.com

Web:www.minrraycam.com

Address: 5&6 Floor, Building 13-A, ZhongHaiXin Technology Park, Ganli Road, Lilang Avenue, Buji, Shenzhen 518112, China

Order No.

UV515-XX



Technical Specifications

Model No.	UV515-03	UV515-10
Camera Parameter		
Image Sensor	1/2.9 Inch High Quality CMOS Sensor	
Effective Pixels	2.07MP, 16:9	
Video Format	1920×1080P@30 fps/25fps; 1280×720P@30fps/25fps; 1024×576P@30fps/25fps; 960×540P@30fps/25fps; 800×448P@30fps/25fps; 640×360P@30fps/25fps; 320×176P@30fps/25fps	
Optical Lens	3X Optical Zoom f=3.35mm-10.05mm	10X Optical Zoom f=4.34mm-41.66mm
View Angle	30°~85°	8.8°~68.8°
Iris	F1.7-3.0	F1.85 – F2.43
Digital Zoom	10X	
Low Illumination	0.5Lux (F1.8, AGC ON)	
DNR	2D & 3DDNR	
White Balance	Auto / Manual/ One Push/3000K/3500K/4000K/4500K/5000K/5500K/6000K/6500K/7000K	
Focus	Auto / Manual/ One Push	
Electronic Shutter	Auto / Manual	
BLC	On/Off	
WDR	OFF/ Dynamic Level Adjustment	
Video Adjustment	Brightness, Color, Saturation, Contrast, Sharpness, B/W mode, Gamma curve	
SNR	>50dB	
Interface and Protocol		
Video Output	USB2.0. Type A	
Video Compression	H.265, H.264, MJPG	
Control Port	RS232 in & out, RS485	
Control Protocol	VISCA/Pelco-D/Pelco-P	
Power Supply	HEC3800 Outlet (DC12V)	
USB characteristics		
Support operating system	Windows 7, Windows8, Windows10, Mac osx ,Linux	

Phone:+86-17771843647

Tel:+86-755-33288582

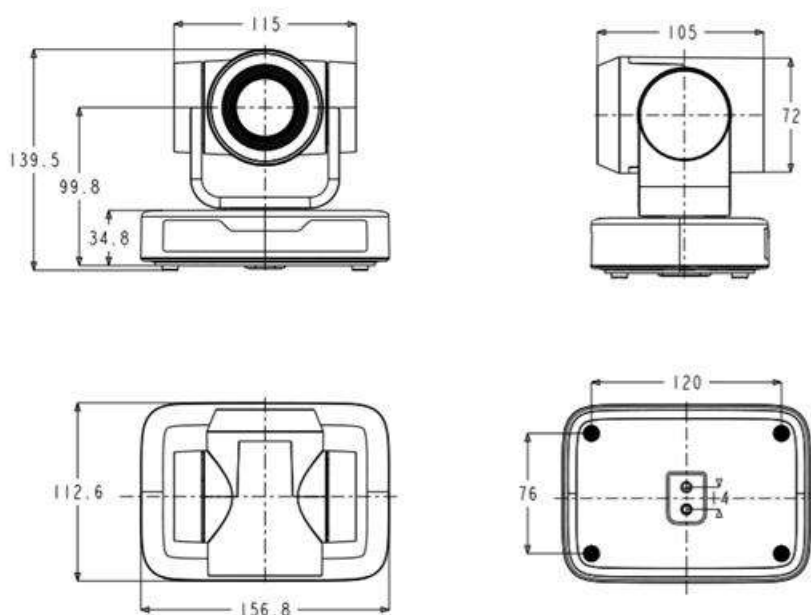
E-mail:claire@mingricctv.com

Web:www.minrraycam.com

Address: 5&6 Floor, Building 13-A, ZhongHaiXin Technology Park, Ganli Road, Lilang Avenue, Buji, Shenzhen 518112, China

Video Compression	H.265, H.264, MJPG
USB communication protocol	UVC
PTZ Parameter	
Pan/Tile Rotation	-170 °~+170 °, -30 °~+90 °
Pan/Tile Controller Speed	0.1~60 %Second, 0.1~30 %Second
Preset Speed	Pan:60 %Second, Tilt: 30 %Second
Preset Numbers	255 Presets (10 presets on IR Remote)
Other Parameter	
Working Voltage	12V
Working current	0.25A(max)
Power Consumption	2.5W(max)
Storage Temperature	-10 °C ~+60 °C, 20% ~95%
Working Temperature	-10 °C ~+50 °C, 20% ~80%
Dimension(W*H*D)	156.8mm×112.6mm×139.5mm
Weight	1KG
Usage	Indoor Only
Package	Power Supply, USB2.0 Cable, Remote Controller, User Manual
Accessories Optional	Mount (Extra Cost)

Dimension (unit: mm)



Phone:+86-17771843647

Tel:+86-755-33288582

E-mail:claire@mingricctv.com

Web:www.minrraycam.com

Address: 5&6 Floor,Building 13-A,ZhongHaiXin Technology Park,Ganli Road,Lilang Avenue,Buji,Shenzhen 518112,China